



DR335 | DR445

Stacked Tumble Dryer

FEATURES

- Standard galvanized drum
- Stainless steel front panel with black painted door
- Large door opening for easy loading & unloading
- Self cleaning lint screen

OPTIONS

- Coin operated
- Stainless steel drum
- Reversing drum

CONTROLS OPTIONS

- Evolis / Evolis Elite – fully programmable and customizable cycles 7” touch screen.
 - User-friendly screen with operating instructions built in as part of the control
 - Complete control content available in 34 languages
- Easy - To - Use Microprocessor - Dual Digital Control or OPL Micro
- Coin Operated Easy - To - Use Microprocessor



FIRE SUPPRESSION SYSTEM

For maximal safety of your operations



LOW ENERGY CONSUMPTION

Lower energy and utility costs, lower linen replacement costs

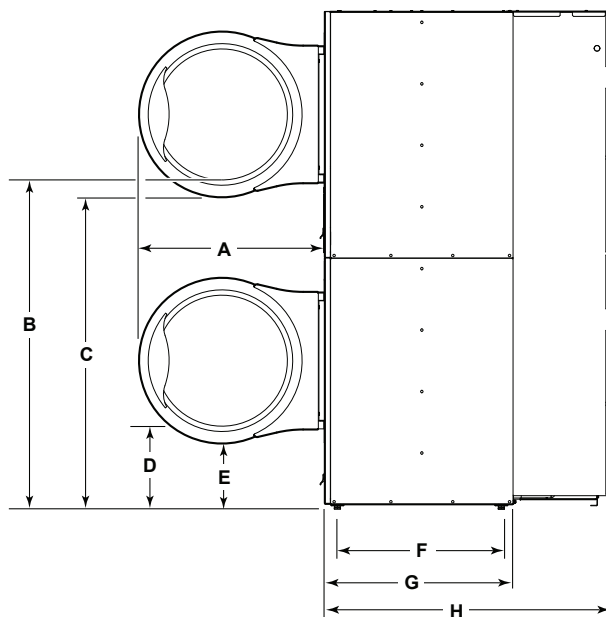


CLOUD-BASED PLATFORM

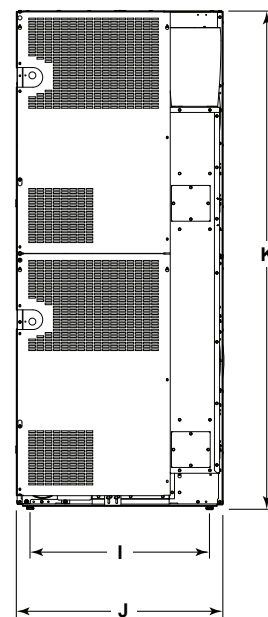
to easily monitor your laundry everywhere and at any time

| | | DR335 | DR445 |
|---------------------------|---------|---------------|---------------|
| CAPACITY | | | |
| Capacity 1:18 | kg (lb) | 2 x 17(38) | 2 x 24(51) |
| Capacity 1:22 | kg (lb) | 2 x 14(31) | 2 x 20(42) |
| Drum volume | l | 2 x 300 | 2 x 420 |
| Drum diameter | mm | Ø 762 | Ø 838 |
| AIRFLOW | | | |
| | l/sec | 310 - 380 | 570 |
| MOTORS | | | |
| Fan | kW | 0,40 | 0,40 |
| Drive | kW | 0,40 | 0,40 |
| NOISE LEVEL | dBA | 63 | 65 |
| GAS HEATING | | | |
| Gas connection | NPT | 1/2" | 1/2" |
| Electrical connection | | | |
| Energy per pocket | kW | 16.1 - 77 | 23.4 - 100.2 |
| | kBTU/h | 55 - 73 | 80 - 95 |
| ELECTRICAL HEATING | | | |
| Electrical connection | | | |
| Energy per pocket | kW | 12 - 21 | - |
| EXHAUST | | | |
| | mm | 150 - 200 | 250 |
| DIMENSIONS | | | |
| H*W*D | mm | 1940x800x1100 | 2065x875x1260 |
| Net weight | kg | 265 - 275 | 315 |
| TRANSPORT DATA | | | |
| Packed H*W*D | mm | 2030x830x1190 | 2160x900x1370 |
| Gross weight | kg | 280 - 290 | 335 |

| | A | B | C | D | E | F | G | H | I | J | K |
|--------------|-----|------|------|-----|-----|-----|-----|------|-----|-----|------|
| DR335 | 710 | 1245 | 1225 | 290 | 270 | 635 | 730 | 1100 | 695 | 800 | 1940 |
| DR445 | 810 | 1280 | 1250 | 260 | 235 | 735 | 830 | 1260 | 770 | 875 | 2065 |
| | | | | | | | | D | | W | H |



Right side



Rear side